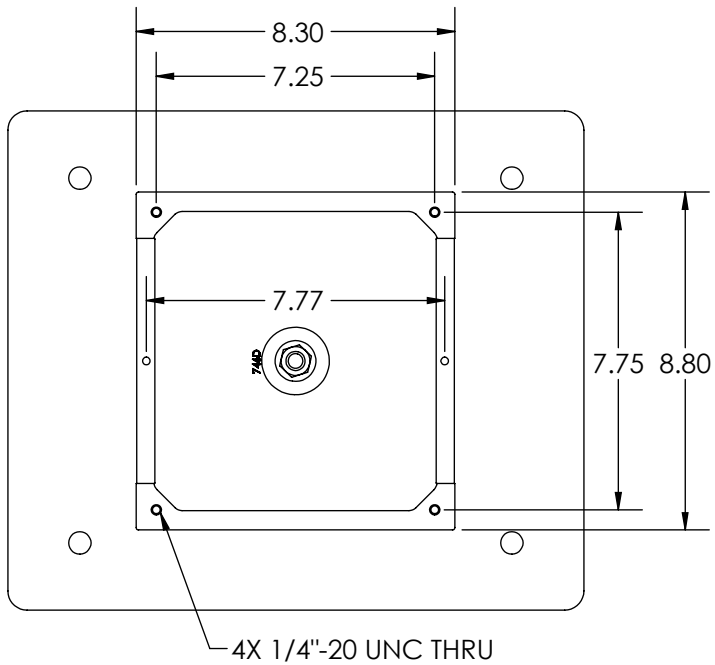
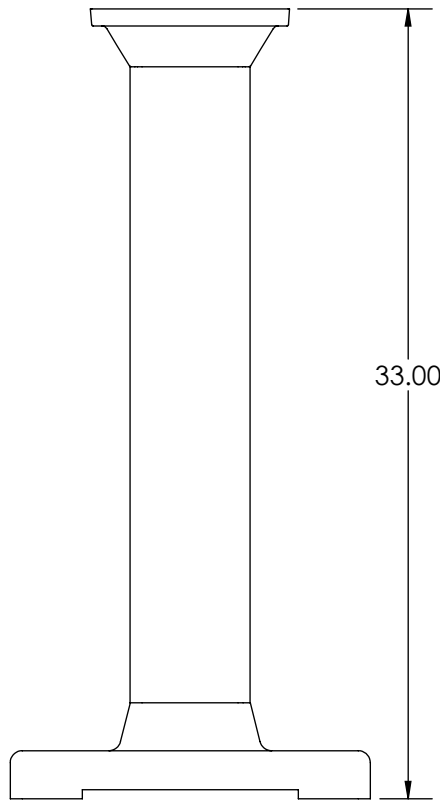


THE DATA CONTAINED HEREIN IS THE SOLE PROPERTY OF BURR KING MFG. CO., INC. REPRODUCTION OR DISTRIBUTION OF THIS DATA IS STRICTLY PROHIBITED WITHOUT CONSENT OF BURR KING MFG. CO., INC.

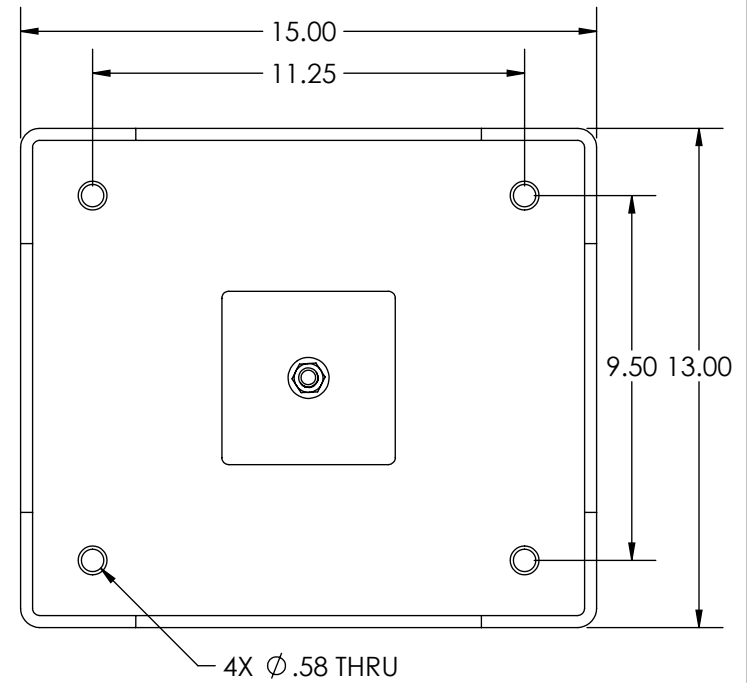
		1220 TAMARA LANE WARSAW, MO 65355 PH: 660-438-8998 800-621-2748 FAX: 660-438-8991 E-MAIL: info@burrking.com	
		STANDARD TOLERANCES	TITLE:
X.X = ± 0.06	PEDESTAL W/ADAPTOR	1 OF 1	
X.X X = ± 0.01	PART NO.	REV.	
X.X X X = ± 0.005	01	A	
ANGLE = $\pm 1/2^\circ$	DRAWN BY: KDE	DATE DRAWN: 05/18/2022	



TOP VIEW



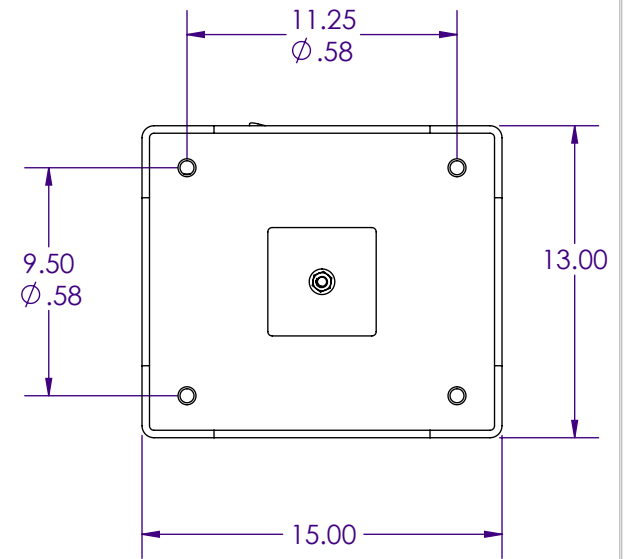
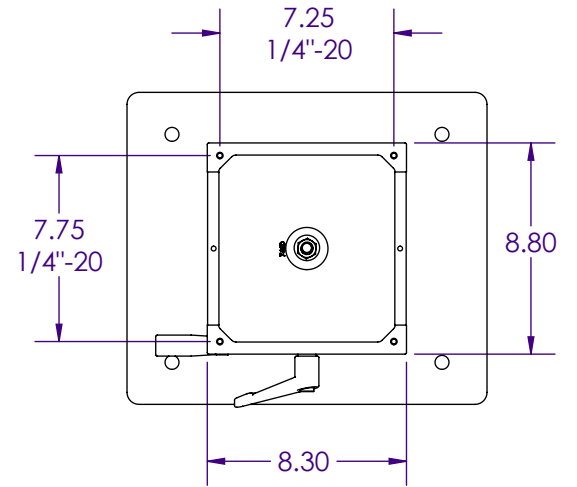
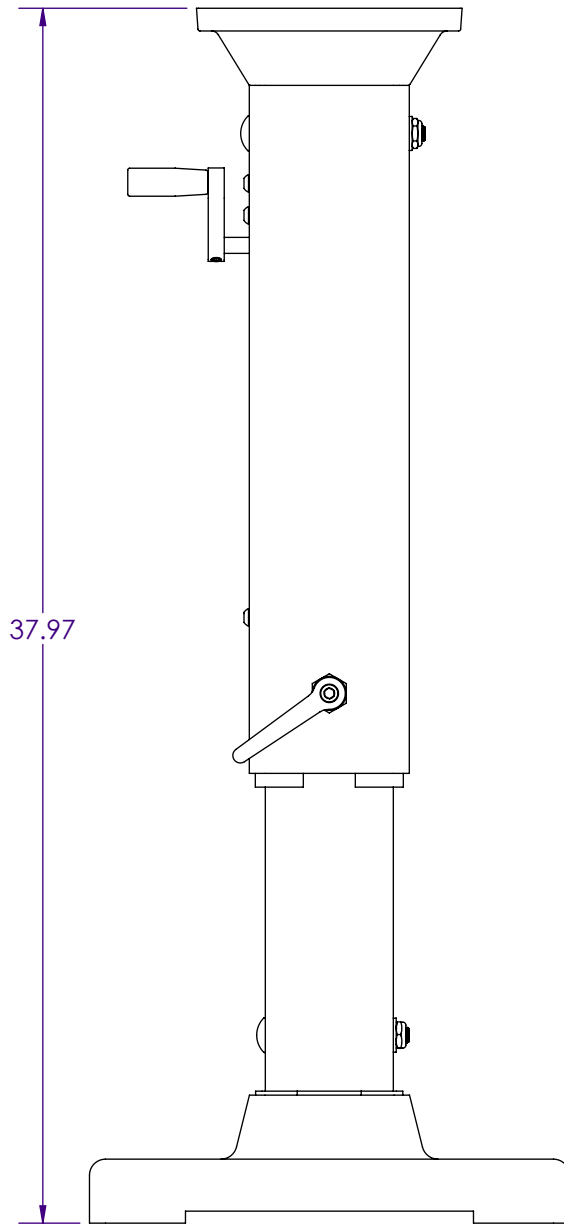
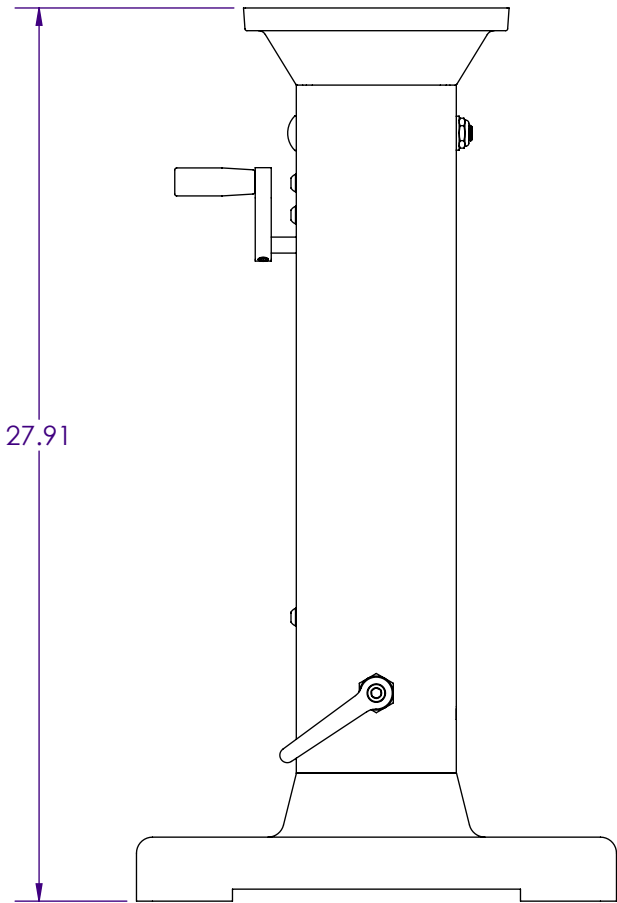
FRONT VIEW



BOTTOM VIEW

THE DATA CONTAINED HEREIN IS THE SOLE PROPERTY OF BURR KING MFG. CO., INC. REPRODUCTION OR DISTRIBUTION OF THIS DATA IS STRICTLY PROHIBITED WITHOUT CONSENT OF BURR KING MFG. CO., INC.

		1220 TAMARA LANE WARSAW, MO 65355 PH: 660-438-8998 800-621-2748 FAX: 660-438-8991 E-MAIL: info@burrking.com	
		STANDARD TOLERANCES	TITLE:
X.X = ±0.06	PEDESTAL (33" TALL)	1 OF 1	
X.X X = ±0.01		REV.	
X.X X X = ±0.005		A	
ANGLE = ±1/2°	PART NO. O2	DRAWN BY: KDE	DATE DRAWN: 05/18/2022



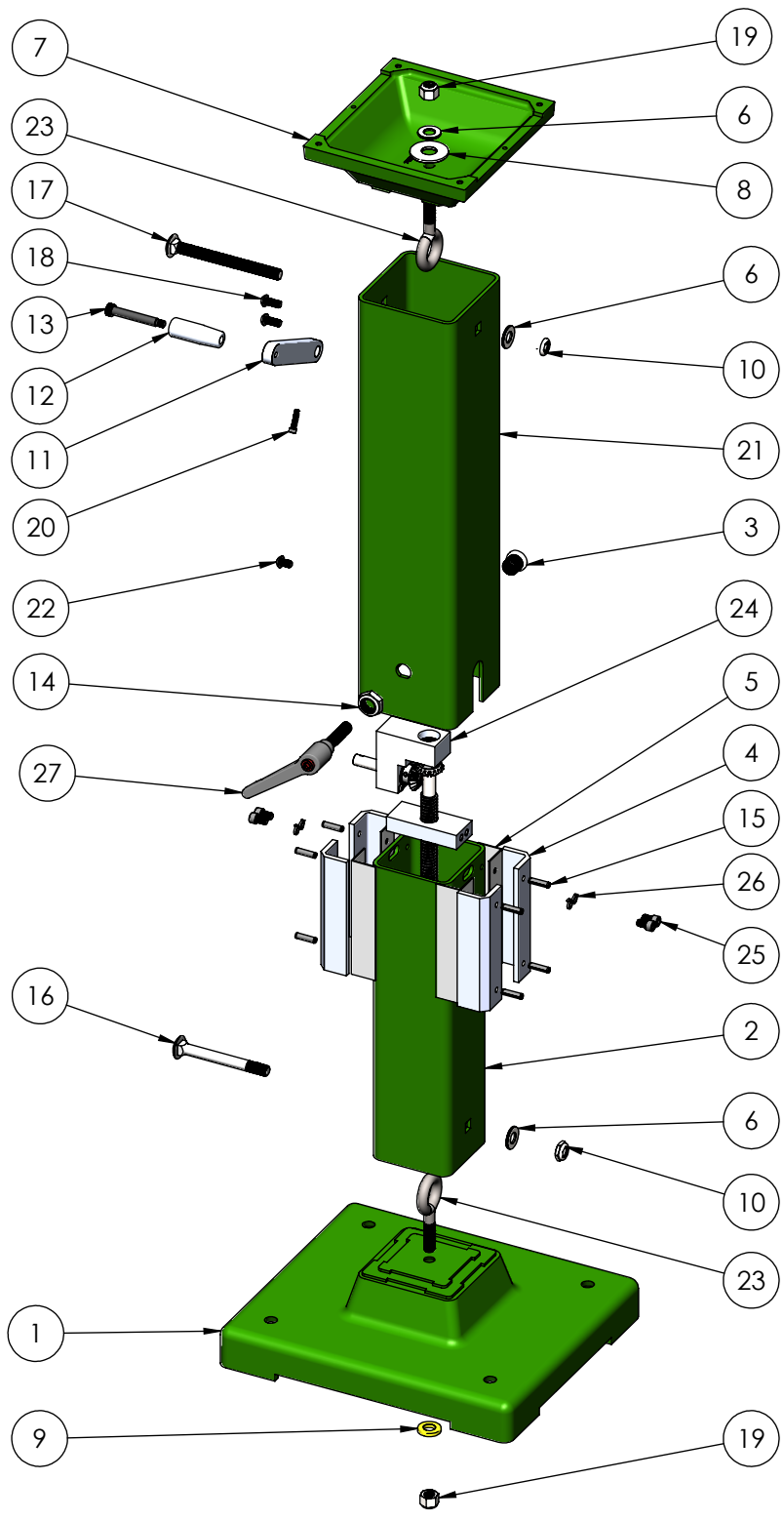
BURR KING

1220 TAMARA LANE
WARSAW, MO 65355
PH: 660-438-8998
800-621-2748
FAX: 660-438-8991
E-MAIL: info@burrking.com

STANDARD
TOLERANCES
X.X = ±0.06
X.X X = ±0.01
X.X X X = ±0.005
ANGLE = ±1/2°

TITLE: **ADJUSTABLE PEDESTAL**
PART NO. **02-10M FOOTPRINT**
DRAWN BY: KDE DATE DRAWN: 0/13/2021

SHEET
1 OF 1
REV.
A



ITEM NO.	PART NUMBER	DESCRIPTION	QTY.
1	746B	BASE, PEDESTAL	1
2	746C-3	TUBE, PEDESTAL 15.5	1
3	99-1001	INSERT, THREADED	1
4	99-1006	GLIDE/SPACER	4
5	99-1007	SHIM, GLIDE	4
6	21	WASHER, 1/2 SAE PLTED	3
7	746D	TOP-PEDESTAL	1
8	5-0058	WASHER, 5/8 X 1 3/4	1
9	7-0031	WASHER, 1/2 HEAVY	1
10	4-0001	NUT, 1/2-13 NYLOK JAM	2
11	99-1013	ARM, HANDLE	1
12	2045	HANDLE, LARGE WHEEL	1
13	2-0022	3/8 x 2 1/4 SHOULDER SCREW	1
14	7-0022	NUT, 3/4-10 NYLOCK JAM	1
15	724-1	SPRING PIN, 1/4 X 1	8
16	1-0029	BOLT, CARRIAGE 1/2-13 x 4 1/2	1
17	1-0103	BOLT, CARRIAGE 1/2-13 X 5 1/2	1
18	7-0011	5/16-18 X 3/4 BSHCS	2
19	41	NUT, 1/2-13 NYLOCK	2
20	7-0021	SHCS 10-32 X 7/8	1
21	746C-2	TUBE, PEDESTAL 21.5	1
22	7-0009	5/16-18 x 1/2 BSHCS	1
23	7-0067	EYEBOLT 1/2"-13 x 2"	2
24	02-100	JACK ASSEMBLY	1
25	3-0007	5/16-18 x 1/2 SHCS	4
26	5-0002	WASHER,HI-COLLAR 5/16	4
27	624ASSY	HANDLE,TRACKING ASSY.	1

1220 TAMARA LANE
WARSAW, MO 65355
PH: 660-438-8998
800-621-2748
FAX: 660-438-8991
E-MAIL: info@burrking.com

STANDARD TOLERANCES	TITLE: PEDESTAL,ADJ. 27"-37"	SHEET 1 OF 1
X.X = ±0.06	PART NO. 02-10M	REV.
X.X X = ±0.01		
X.X X X = ±0.005		
ANGLE = ±1/2°	DRAWN BY: KDE	DATE DRAWN: 09/18/2018

THE DATA HEREIN IS THE SOLE PROPERTY OF BURR KING MFG. CO., INC. REPRODUCTION OR DISTRIBUTION OF THIS DATA IS STRICTLY PROHIBITED WITHOUT CONSENT OF BURR KING MFG. CO., INC.