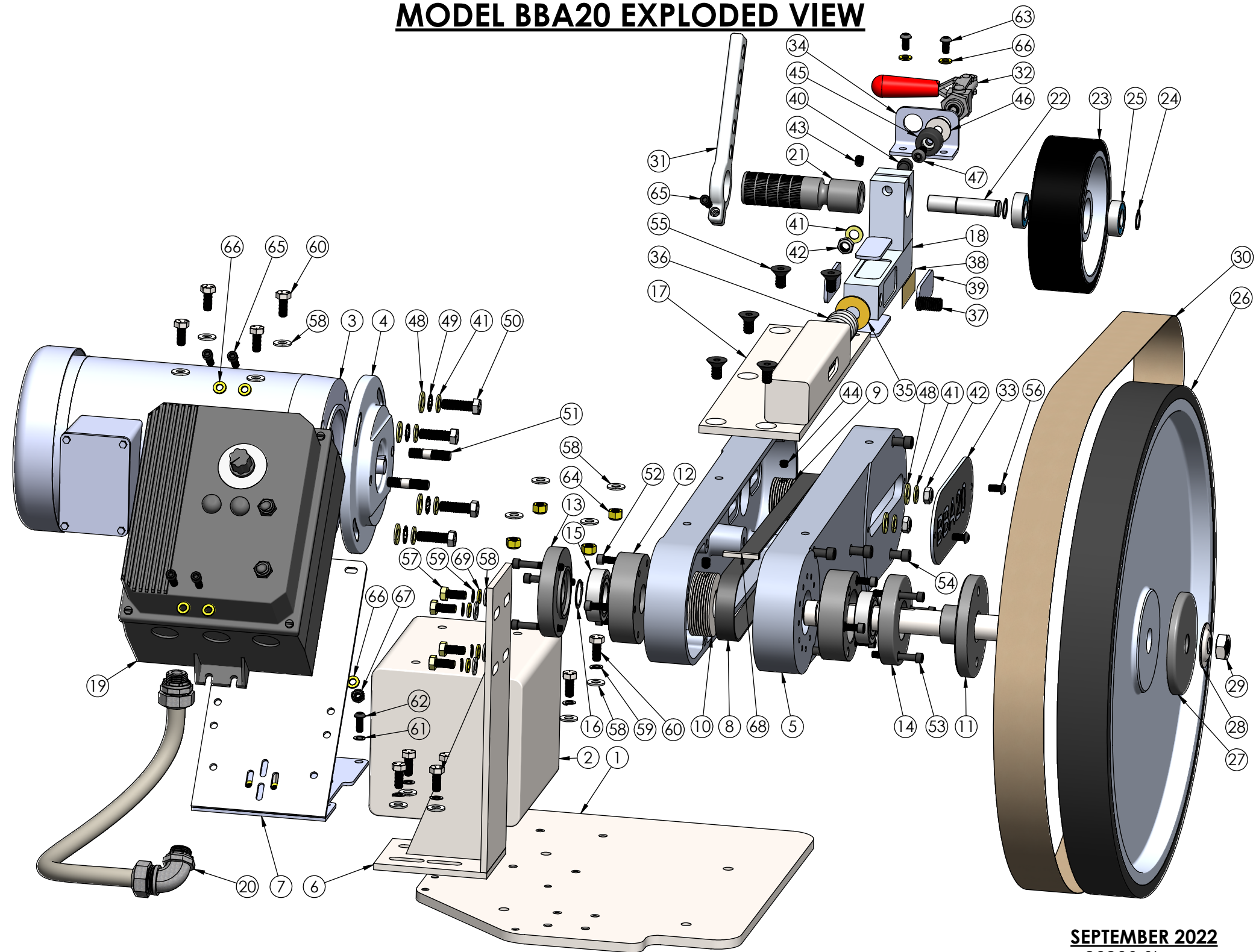


MODEL BBA20 EXPLODED VIEW



*BOM for 98930 shown your machine may vary

MODEL BBA20 PARTS LIST

ITEM NO.	PART NUMBER	DESCRIPTION	QTY.
1	1054	PLATE-BASE	1
2	99-0025	SUPPORT-MOTOR	1
3	150B-1725C	MOTOR-1.5 HP 3PH 56C	1
4	908-1	C-FACE ADAPTER	1
5	1026A-1M	FRAME ASSEMBLY (BBA20)	1
6	99-0026	BRACKET-SUPPORT	1
7	MB-4C3	BRACKET-CONTROL	1
8	1039-1	BELT- MICRO-V	1
9	725-10	MICRO-V PULLEY 1.62 X 5/8	1
10	730-11	MICRO-V PULY 2.5 X 25MM	1
11	1028-5HRH	SPINDLE ASSY.	1
12	1033	MOUNT-BEARING	2
13	1034	SHROUD-BEARING MOUNT	1
14	1034-3	SHROUD-BRG. MT. (BBA20)	1
15	11-0016	BALL BEARING	2
16	10-0003	CIRCLIP 1" OD	1
17	1094	MOUNT-IDLER (ASSY)	1
18	245	GOOSENECK ASSEMBLY	1
19	862-4	CONTROL-VARI-SPEED	1
20	99-0002	KIT-CONDUIT	1
21	246	HANDLE-TRACKING	1
22*	707C	SHAFT-BEARING	1
23*	707EXM	WHEEL-IDLER	1
24*	701F	CIRCLIP 5/8	2
25*	701B	BEARING-BALL	2
26	2220	WHEEL-CONTACT 20 X 2	1
27	1053	FLANGE-WHEEL	1
28	726	WASHER-WHEEL	1
29	727	NUT-5/8-18 JAM	1
30	BELT	BELT-2 X 72	1
31	1095	ARM-TRACKING	1
32	1055	HANDLE-BELT CHANGE	1
33	1035	PLATE-COVER	1
34	253	BRACKET-BELT CHANGE	1
35	6-0017	WASHER-1/2 USS FLAT	1

ITEM NO.	PART NUMBER	DESCRIPTION	QTY.
36	248	SPRING-BELT TENSION	1
37	7-0017	SET SCREW 1/2-13 x 1 CP	1
38	99-0075	SHIM 002-.010 (TO FIT)	1
39	241	PAD-GLIDE	4
40	7-0016	SHCS 3/8-24 x 2	1
41	17	WASHER- 3/8 AN960-616	7
42	39	NUT 3/8-24 NYLOK JAM	3
43	25	SET SCREW 5/16-18 X 3/8 CP	2
44	5-0048	SET SCREW 5/16-18 x 1/4 CP	1
45	1515-1	GROMMET/BUMPER	1
46	7-0012	WASHER-5/16 FENDER	1
47	7-0011	BHSHCS 5/16-18 X 3/4	1
48	42	WASHER-3/8 FLAT GR.8	6
49	5-0014	WASHER- 3/8 INT. STAR	4
50	1-0003	HHCS 3/8-16 X 1 1/4 GR. 5	4
51	920	STUD 3/8 x 1 1/2 DOUBLE	2
52	2-0026	SHCS 1/4-28 x 1	6
53	1-0021	SHCS 1/4-28 x 1 3/4	6
54	2-0027	SHCS 5/16-18 x 2	5
55	3-0020	FHSHCS 3/8-16 x 3/4	5
56	2-0028	BHSHCS 1/4-28 x 1/2	2
57	1-0044	HHCS 5/16-24 x 3/4 GR.8	4
58	4	WASHER-5/16 SAE	20
59	5-0017	WASHER-5/16 SPLIT LOCK	12
60	37	HHCS 5/16-18 X 3/4 GR 5	12
61	5-0032	WASHER-1/4 SPLIT LOCK	4
62	2-0019	BHSHCS 1/4-20 x 5/8	4
63	2-0014	BHSHCS 1/4-20 X 1/2	2
64	4-0014	NUT-5/16-18 NYLOCK GR 8	4
65	209	SHCS 1/4-20 X 3/4	5
66	5	WASHER 1/4 AN960-416	10
67	4-0013	NUT 1/4-20 KEP	4
68	701G-1	KEY 3/16 x 1 7/16	1
69	18	WASHER 5/16 AN960-516	4

* MAY BE ORDERED AS ASSEMBLY--ORDER P/N 707EX

SEPTEMBER 2022