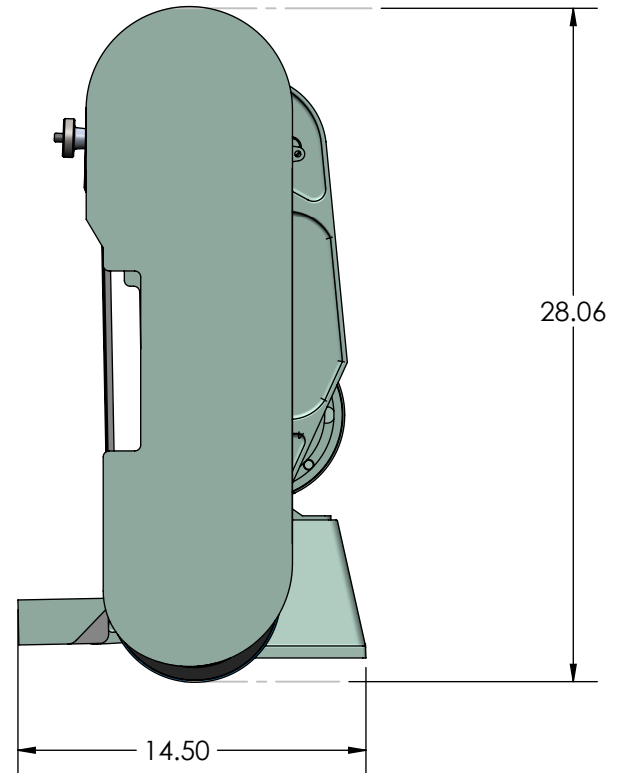
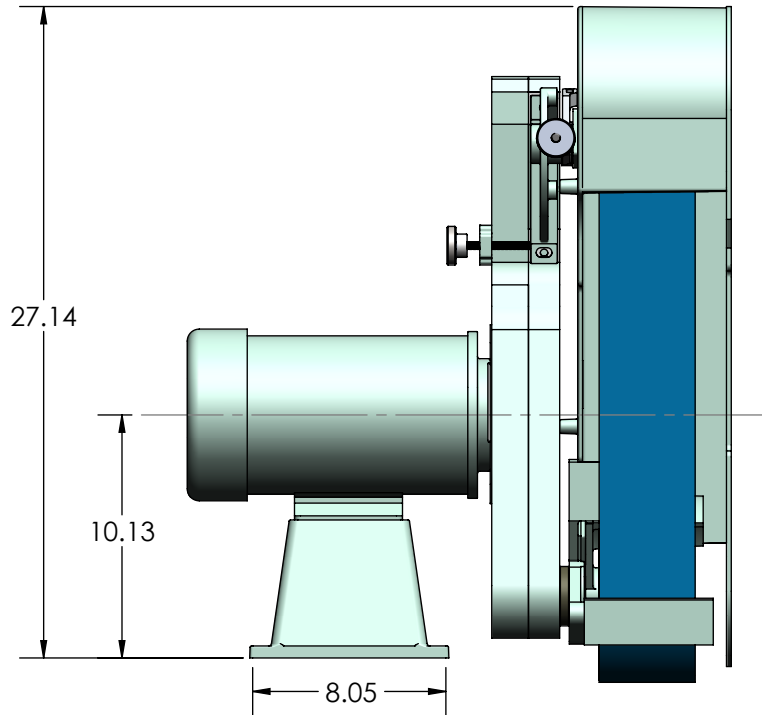
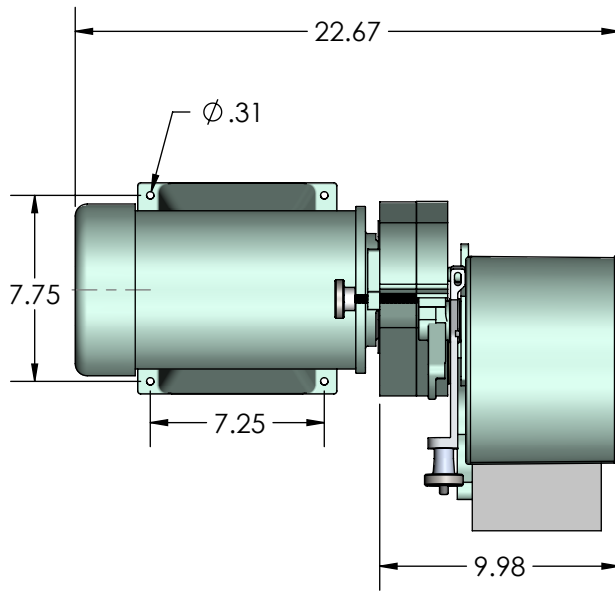




1220 TAMARA LANE  
WARSAW, MO 65355  
PH: 660-438-8998  
800-621-2748  
FAX: 660-438-8991  
E-MAIL: info@burking.com

# 960-400





1220 TAMARA LANE  
WARSAW, MO 65355  
PH: 660-438-8998  
800-621-2748  
FAX: 660-438-8991  
E-MAIL: info@burking.com

# 960-400

