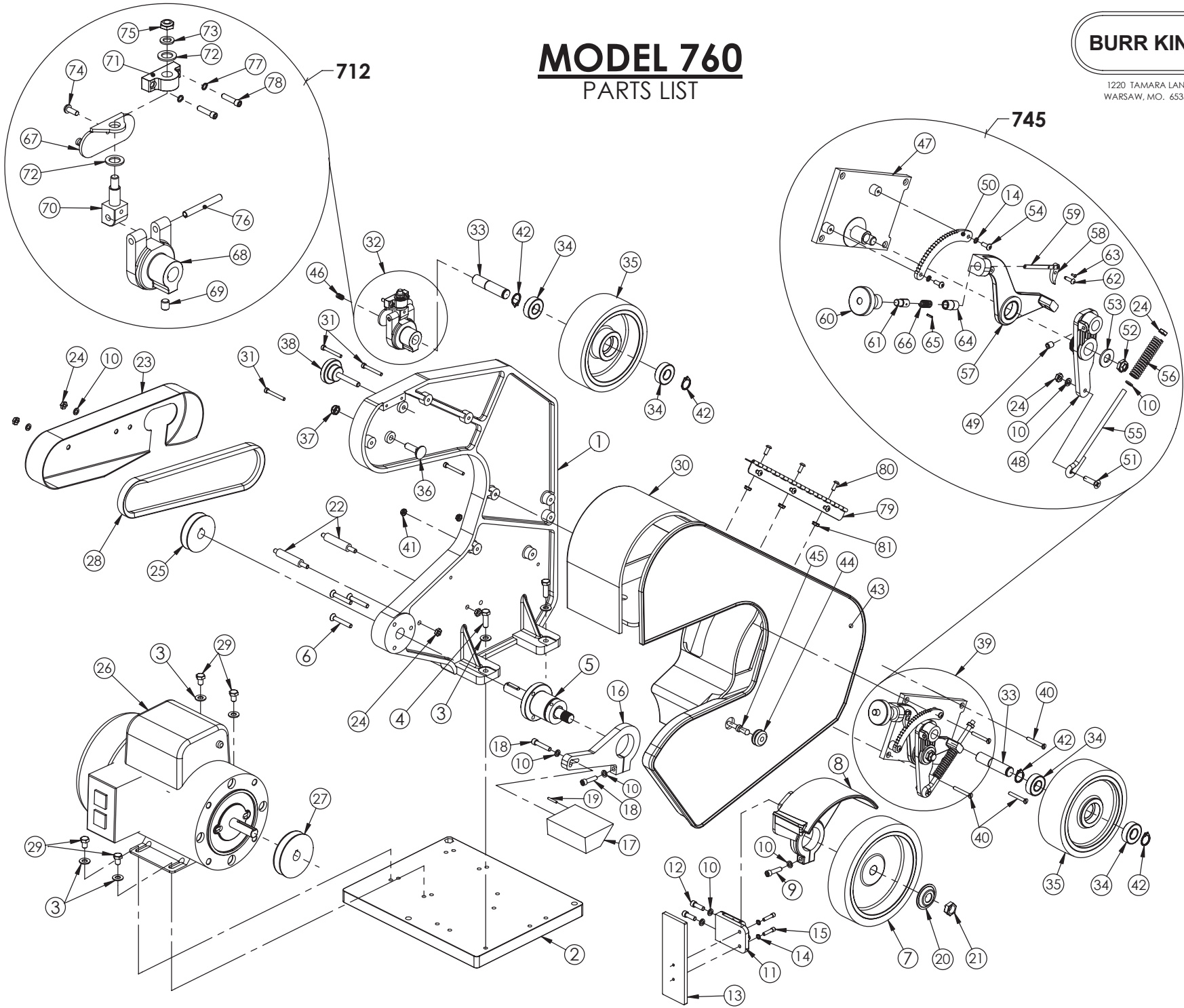


MODEL 760

PARTS LIST



* NOTICE: BOM PROVIDED IS FOR SKU 70100 - SOME ITEMS MAYBE DIFFERENT ON YOUR MACHINE. CALL FACTORY WITH YOUR MACHINE SKU TO VERIFY PART FITMENT

MODEL 760

PARTS LIST



1220 TAMARA LANE
WARSAW, MO. 65355

MAIN BODY LIST

ITEM #	PART #	DESCRIPTION
1	700	FRAME, MAIN
2	731	BASE, MACHINE
3	4	WASHER, 5/16 SAE ZINC PLTD
4	1	BOLT, 5/16-18x1, HH, GRD 5, PLTD
5	701	BEARING, CONTACT WHEEL ASSY
6	6	1/4-20 x 1 1/2 FH SOC
7	702*	CONTACT WHEEL, SMOOTH
8	703-3	GUARD, CONTACT WHEEL
9	30	1/4-20x1 SHCS
10	5	WASHER, 1/4 AN
11	704-1B**	BRACKET, PLATEN
12	209	SCREW, 1/4-20 X 3/4 ALLEN HEAD
13	704-1A**	PLATEN
14	15	WASHER, 5/16 LOCK, SPLIT
15	13	SCREW, 10-24 x 3/4, SOC, HD, CAP
16	705-1	ARM, WORKREST SUPPORT
17	706-1	WORKREST, ANTI-TILT
18	31	1/4-20x1 1/4 SHCS
19	6-0014	PIN, 1/8 X 3/4, ROLL PLTED
20	726	WASHER, SPRING FLANGE
21	727	NUT, 5/8-18 RH, JAM, BRT PLT
22	728A	STANDOFF, GUARD
23	728	GUARD, V-BELT, INVERT
24	3	NUT, 1/4-20 JAM, PLTD
25	725*	PULLEY, 2.5"
26	150A-3450CS*	1.5 HP MOTOR/120V/1PH/3450RPM
27	730*	PULLEY, 3"
28	729-2*	BELT, V DRIVE
29	2	BOLT, 5/16-18x1 1/2 HEX HEAD
30	742A-1	GUARD, SAFETY
31	8	SCREW, 10-24 x 1-1/2, BUTTON
32	712	TRACKING ASSY, UPPER IDLER
33	707C	SHAFT, BEARING
34	701B	BEARING 5/8 x 1 3/8
35	707EX	WHEEL, IDLER - COMES WITH BEARINGS & SHAFT
36	1-0037	BOLT, 3/8-16 x 1-1/4, CARRAGE
37	4-0005	NUT, 3/8-16, JAM, ELASTIC, PLTD
38	711	KNOB ASSY, TRACKING
39	745	BELT TENSIONING ASSEMBLY
40	7	SCREW, 10-24 x 1 1/2 FLAT HD
41	14	NUT, 10-24, KEP
42	701F	WHEEL, IDLER CIR-CLIP
43	742B-1	DOOR, SAFETY GUARD
44	742H	GROMMET, SAFETY GUARD DOOR
45	742L	LATCH, SAFETY GUARD DOOR
46	338-2	SPRING, TRACKING

** CAN BE ORDERED AS ASSEMBLY WITH 704-1A PLATEN AND 704-1B BRACKET. ORDER PART NUMBER 704-1 FOR ASSEMBLY

ITEM 39 LIST - 745/QUICK CHANGE

ITEM #	PART #	DESCRIPTION
47	734	BASE PLATE
48	735	SUPPORT. REAR WHL
49	25	SCREW, SET, 5/16-18 X 3/8, ALLEN
50	736	RACHET
51	34	SCREW, 1/4-20 X 1, FH PHILLIPS
52	20	NUT, NYLOK JAM, 1/2-20
53	21	WASHER, 1/2 ID
54	9	SCREW, 10-24x1/2 BH, BLK OXIDE
55	739	GUIDE, SPRING
56	738	SPRING, BELT TENSION
57	737G***	ARM, TENSION
58	737F***	PAWL
59	737C***	STRIP, HANDLE
60	737A***	KNOB, REAR TENSION ARM
61	737B-1***	BUTTON
62	27***	SCREW, DRIVE, #8 X 5/8
63	28***	SCREW, DRIVE, #2 x 1/4
64	737E***	NIPPLE, PIPE
65	26***	PIN, 3/32 x 3/8, ROLL PLTED
66	737D***	SPRING, BUTTON

***PARTS CAN BE ORDERED AS ASSEMBLY.
ORDER PART NUMBER 737 FOR HANDLE ASSEMBLY

ITEM 32 LIST - 712/TRACKING ASSEMBLY

ITEM #	PART #	DESCRIPTION
67	710	BRACKET, PIVOT BLOCK
68	714-1	BODY, TRACKING
69	25	SCREW, SET, 5/16-18 X 3/8, ALLEN
70	716	PIVOT BLOCK MOUNT
71	717	BLOCK, PIVOT
72	16	WASHER, 960-716, AN
73	18	WASHER, 960-516, AN
74	29	SCREW, 10-32 X 1/2 BH
75	19	NUT, 5/16-24, ESNA
76	724	PIN, ROLL, 1/4 x 1
77	5-0035	WASHER, #10, LOCK, HIGH COLLAR
78	13	SCREW, 10-24 x 3/4, SOC, HD, CAP

DOOR HINGE

79	742E	HINGE, GUARD TO DOOR
80	24	SCREW, 6-32 x 1/2, MACH
81	23	NUT, 6-32, KEP, PLTD