



BURR KING MFG. CO., INC

1220 Tamara Lane

Warsaw, MO 65355

www.burrking.com

(660)438-8998 • Fax (660)438-8991

MODEL 600 & MODEL 800 INSTRUCTION MANUAL



Model 61110 Shown



BURR KING MODEL 600/800 DEBURRING & POLISHING MACHINES

MADE IN U.S.A.



- * GRINDERS
- * BUFFERS
- * VIBRATORY
- * DISC GRINDERS



BURR KING MFG. CO., INC.
 1220 TAMARA LANE
 www.burrking.com
 WARSAW, MO 65355
(660) 438-8998 S (800) 621-2748
FAX (660) 438-8991

June, 2007

Burr King Manufacturing Company, Inc. warrants the below product to be free in material and workmanship. The period of warranty is 1 year (90 days for vibratory bowls of 20 quart and lesser volume) from the date of purchase. No warranty is provided for products that have been modified, abused, handled carelessly, where repairs have been made or attempted by others, or for freight damage. No warranty is provided for three phase electric motors, controllers, etc. when the motors, controllers are not protected by magnetic starters that were supplied and installed by Burr King Manufacturing Company, Inc. No other warranty, written or verbal is authorized by Burr King Manufacturing Company, Inc.

During the warranty period Burr King Manufacturing Company, Inc (or its authorized suppliers or agents) will replace or repair the below product without charge if the product is found by Burr King Manufacturing Company, Inc. to be defective. To receive warranty services you must contact Burr King Manufacturing Company, Inc. and receive authorization fir warranty service. Unless otherwise authorized by Burr King Manufacturing Company, Inc. Products (see * below) must be returned to the factory to receive warranty service.

*Motors, speed controllers, and certain other accessories are warranted by their respective manufactures. To receive warranty service on these items you must contact a brand label service center that supports the product in need of service. Burr King Manufacturing Company; Inc. will assist you in locating a service center.

For the first thirty days after purchase, and when Burr King Manufacturing Company, Inc. authorizes warranty service, we will pay normal and necessary surface freight charges both ways (except for items in *). After thirty days the customer is responsible for all freight charges. Where possible Burr King Manufacturing Company, Inc. may elect to make on site service and/or repairs necessary to return the product to serviceable condition.

To assure prompt warranty service it is necessary that you complete and return the below warranty information to Burr King Manufacturing Company, Inc. please **FAX** or **MAIL** at your convenience.

Product model: _____ Serial number: _____
 Date Purchased: _____ Purchased from: _____
 Address: _____ City: _____ State/Prov: _____ Postal code _____

Your company name: _____
 Address: _____ City: _____ State/Prov: _____ Postal code _____
 Phone: _____ Fax: _____ Email: _____
 Your name: _____ Title: _____

How did you learn about Burr King products?

Trade show ___ Web ___ Industrial Distributor ___ Advertisement ___ Other _____ Which one: _____

What is the intended use of this product? _____

Please indicate the general work types performed at your company, check all that apply:

Fabrication ___ Machining ___ Casting ___ Molding ___ Welding ___ Finishing ___ Assembly ___ Research ___ Other ___

Please indicate the primary product focus of your company; check all that apply.

Aircraft/Missile ___ Automotive ___ Contract machine ___ Contract Fabrication ___ Agricultural ___ Maintenance ___ Recreational ___
 Job shop ___ Foundry ___ Construction ___ Arts ___ Orthopedic ___ Dental ___ Medical ___ Other _____

Please tell us what we can do to improve our products:

May we contact you? Yes ___ No ___

Thank you for purchasing Burr King products!



BURR KING MFG. CO., INC.

1220 TAMARA LANE

WARSAW MO 65355

WWW.BURRKING.COM

(660) 438-8998 s (800) 621-2748

FAX (660) 438-8991

June 21, 2007

LETTER OF AUTHENTICITY

This letter is to certify that all Burr King Belt grinders, Disc grinders, Polishing machines Vibra King Chambers and Bowls are manufactured and assembled in the United States of America.

(Tariff number 847990 criterion A)

A handwritten signature in black ink, appearing to read "Don Mac Carthy".

Don Mac Carthy
President

See our catalog at www.burrking.com

contact us at info@burrking.com



BURR KING MFG. CO., INC.
1220 TAMARA LANE
WARSAW MO 65355
WWW.BURRKING.CO
(660) 438-8998 s (800) 621-2748
FAX (660) 438-8991

February 2005

OPERATOR, and OPERATING AREA SAFETY

Subject equipment includes Grinders, buffers, polishers, and other rotating equipment. Serious injury or death may occur if minimum safety precautions are not understood, and obeyed by operators and those other persons who may be in the immediate vicinity of the subject equipment. Persons who operate, or are in the immediate vicinity of the subject equipment must be properly trained in, and use, minimum safety precautions and procedures for such machinery.

Minimum safety requirements to operate, or work in the immediate vicinity subject equipment:

1. Read and understand all operating instructions, manuals, labels, and other information provided with the equipment.
2. Install the equipment according to manufacturer's instructions.
3. Securely bolt the equipment to a rigid, structurally sound mounting surface.
4. Use and wear proper eye and face protection.
5. Use and wear proper protection for the body, hands, fingers, feet, and legs.
6. Review and understand all machine guards, adjustments, and points of exposure to potential injury.
7. Do not remove, tamper with, or otherwise alter, equipment guards, and other safety features.
8. Insure the machine is adjusted, and remains adjusted according to manufacture's requirements.
9. Maintain the equipment in good operating condition.
10. Have another person who is knowledgeable in proper and safe operation of the subject equipment demonstrate proper and safe operation to all operators, and to those persons who might be in the immediate vicinity of the subject equipment.
11. Use work piece holding devices when ever possible that diminish the possibility that persons will come in contact with moving machine pieces, or spark/debris output from the machine.
12. Use spark and debris arresting apparatus. Such apparatus should be connected to the machine so as to contain dust and debris that is generated, and to suppress sparks thereby limiting human inhalation risk, and the risk of fire or explosion.
13. Use appropriate inhalation apparatus to protect person from ingestion and/or inhalation of sparks, debris, smoke, particulates, etc.
14. Avoid mixing different metals, alloys, and materials. To mix such materials might create a fire or explosion hazard.
15. Protect persons from work pieces, particulates, etc. that could be forcibly ejected from the machine. For example, a buffing wheel or grinding belt can "grab" a work piece while the work piece is being buffed, polished, ground, or otherwise conditioned, resulting in forcible ejection toward the operator or those in the vicinity of the machine. The use of leather aprons, gloves, and eye shields are examples of protective gear that may be effective. In general do not grind, buff, or otherwise engage the traveling belt, wheel, or disc surface with the work piece pointing into the direction from which the belt, wheel, or disc is traveling. However, if you choose to do so be aware the work piece may lodge in the traveling belt, wheel, or disc and be forcibly, and dangerously ejected.
16. Do not operate this machine if the gap (nip point) between a moving belt, wheel or disc and the work support surface exceeds 1/8 inch.
17. Do not operate this machine if the gap between the moving abrasive belt, disc or wheel and the adjacent face

page 1 continued on next page

Continued from page 1

of the work rest (or table) will permit passage of the work piece through the gap (nip point). Note, however, that certain alloys such as titanium may create conditions where grinding debris can accumulate in a tight gap creating a potential fire hazard. **When in doubt consult with your safety officer.** Failure to observe this warning may result in the work piece or other item being caught in this gap, and/or being forcibly ejected. Failure to heed this warning may cause serious bodily harm to the operator and/or bystanders. **NEVER USE THIS EQUIPMENT IF YOU ARE NOT PROPERLY TRAINED IN ITS OPERATION and/or SAFE USE! IF IN DOUBT STOP and ASK FOR GUIDANCE!**

18. Never position the work rest table at an acute angle between the top of the work rest table and the moving belt or wheel. Doing so will create “nip point” that can cause serious injury should an operator body part become entangled (pulled into) the nip point created by this acute angle.

19. Do not operate the equipment, or allow others to operate the equipment without proper training in these and other rotating machinery safety requirements.

20. Do not perform maintenance on the equipment unless you are fully qualified to do so, and understand all necessary safety and operating requirements.

21. Do not leave the machine unattended while it is running.

22. Correct equipment or safety problems immediately. Do not operate the equipment when it requires maintenance, or correction.

23. Install and use high quality abrasive belts, wheels, discs, media, etc., as appropriate to your machine. Understand and follow the operating requirements provided by the manufacturer of these materials.

Rotational Speed Warning, Contact Wheels

Scope: Contact wheels manufactured by Burr King Manufacturing Company, Inc., which have rubber or urethane tires. Examples include but are not limited to stock codes 202, 302, 402, 502, 702, 802, 902, 1002, 1202 and variants. Variants have stock codes that begin with the base number; i.e. 802-S-55 is an 802 variant.

Users are warned not to exceed the below listed revolutions per minute (RPM) on the subject wheels. Failure to heed this warning may lead to tire de-bonding, fragmentation, or other mechanical failure. Such failures may cause serious personal injury to operators or bystanders, and/or cause property damage. All Burr King products are warranted for various time periods to be free of material and/or workmanship defects. Burr King Manufacturing Companies standard warranty policy is summarized as follows for contact wheels. 1 year from date of purchase if mounted on a Burr King machine purchased on the same date or 90 days if purchased as a spare or replacement part. Our warranty does not apply to wheels that are mounted on products not manufactured by Burr King Manufacturing Company, Inc. Users who mount Burr King manufactured contact wheels on product not manufactured by Burr King Manufacturing Company, Inc. do so at their own risk and assume all liability for having so mounted the contact wheel(s).

Remember good safety practice demands guarding to protect operators and bystanders from wheel failure and/or debris. Never use the subject contact wheels without proper guarding that meets commonly accepted safe practice. See OSHA, U/L, CSA, CE, ISO and other respected safety standards.

<u>Stock code</u>	<u>Maximum Safe RPM</u>
202, 302	10000
402, 502, 702 802	4400
902, 1002	2200
1202	1600

Page 2, continued on page 3

Continued from page 2

Occupational Noise Exposure

Burr King products produce levels of noise consistent with their intended purposes. The level and spectral content of noise produced is dependent on the product type, the degree that the product is maintained in proper operating condition, the abrasive/media and accessories used, the specific application, and the surrounding environment. Noise levels produced by various Burr King grinders and polishers, as measured at the Burr King factory, range from 80 to 93 decibels. Product operators and persons in the immediate product vicinity should be protected from excessive noise does levels as prescribed in OSHA regulation 29, piece 1910.95 titled "Occupational Noise Exposure".

ROTATING EQUIPMENT CAN BE DANGEROUS TO OPERATORS AND THOSE WHO MAY BE IN ITS IMMEDIATE OPERATING VICINITY. IT IS THE ABSOLUTE AND DIRECT RESPONSIBILITY OF PURCHASERS, MANAGERS, AND OPERATORS OF THIS EQUIPMENT TO UNDERSTAND AND OBEY THE FOREGOING MINIMUM OPERATING SAFETY REQUIREMENTS. IF YOU HAVE QUESTIONS OR SAFETY CONCERNS REGARDING OPERATING THE SUBJECT EQUIPMENT PLEASE CALL YOUR AUTHORIZED BURR KING DISTRIBUTOR, OR BURR KING MANUFACTURING AT 1-800-621-2748. YOUR SAFETY IS OUR FOREMOST CONCERN!

Burr King Manufacturing disclaims any and all responsibility for injuries, damage, loss of income, or other adverse consequence as might be incurred by purchasers, managers, and operators of this equipment.

Page 3 is last page



BURR KING MFG. CO., INC.

1220 TAMARA LANE

WARSAW, MO 65355

WWW.BURRKING.COM

(660) 438-8998 ♦ (800) 621-2748

FAX (660) 438-8991

Technical tip

May 16, 2006

As you may know we improved many of our 120 and 220-volt single-phase variable speed grinders and buffers to use a three-phase AC motor with an inverter controller rather than the DC motors and a rectifier controller previously used. This change is transparent to the end user since the machine is “plugged in” to single-phase outlets. The use of a three-phase motor permits the use of computerized “inverter” controls to achieve variable speed control. Current technology does not support the use of single-phase motors for variable speed operation except through the use of mechanical systems. We made this change for the following reasons:

- Customers frequently demand excess horsepower output from the machines. Regardless of the “labeled” horsepower electric motors can deliver power well in excess to stated capability for short periods of time. Since there is “no free lunch” this excess horsepower is sustained by high current drain on the supply service (what comes out of the wall). Further this high current drain taxes the control module on the grinder or buffer and all interconnect circuitry such as the electrical cord which can get warm as evidence of the overstress. **The new configurations are more tolerant of excess horsepower demand.**
- The DC motors and controllers previously used had fuses that would “blow” when the customer demanded even short periods of overload necessitating the customer searching for and replacing up to two fuses at the machine and perhaps having to reset an wall circuit breaker. **The new configurations are more tolerant of overload, but in the event of an overload the customer needs only to reset the controller.**
- The DC motors require the use of “brushes” that have a specified service life of about 1200 hours with normal loading. Excess loading greatly reduces this time. **The three-phase motors used with the new configurations do not have brushes and are inherently more reliable.**
- The DC controllers previously used are very limited in their ability to be interfaced with external controls as might be found with robotics or other automation devices. **The new AC controllers have greatly expanded interface capability.**
- The DC motors and controls were often limited in their ability to drive the machines to maximum specified belt or wheel speed. **The new configurations can be readily set for optimum advertised speeds.**
- The cost of modern inverter controls is now competitive with the cost of the older DC control modules; and three-phase motors are very competitive with DC motors. **This allows us to deliver a superior value to our customers and to expand the application utility of our products without negatively impacting the price that our customers pay.**

Because of the common and widely used 120 volt single-phase service (your home, office, and in factories) there are some important application aspects that you and our customers need to bear in mind. These apply to the new variable speed configurations or for that matter any electrical motor driven machine where the horsepower is 1-½ or greater. People often do not understand the electrical supply beyond “it comes out of the wall” and “if it is my garage it must work on everything specified 120 volts, single phase”. Many homes, offices, and even factories (in accordance with local and national codes) are wired with 14-gauge feeder wire to the 120-volt outlets making the supplied service inadequate for machines with 1-½ horsepower

motors. To force these inadequate services to deliver power that is greater than their designed 15-ampere capability leads to early equipment failure and potential fire danger. **This must always be considered when choosing the electrical supply.**

- **Burr King provides 1-½ horsepower, 120-volt machines with a 20-ampere power cables and connectors.** This is necessary to assure that the power cord does not dissipate excess energy (delivers all available current to the motor), and to assure that the user plugs into a supply capable of delivering the required 20 amperes of current. You can identify the 20-ampere cable by its 20-ampere plug that has a 90-degree orientation of the two flat blades. **If a user defeats this performance and safety feature he does so at his own hazard.**
- At the application site you and our customer must assure 20-ampere service is used. Should the user defeat the 20 ampere polarized plug provided by Burr King in favor of a 15-ampere service he may experience nuisance circuit breaker trips.
- **A 120 -volt, single phase 1-½ horsepower machine must always be connected to at least a 20-ampere 120-volt source that incorporates 12-gauge wire at minimum. 20-ampere circuit breakers must never be used with smaller than 12-gauge wire. Failure to observe this warning may create a fire hazard and result in the loss of life and or property.**
- It is common (by code and fact) to have five or more AC outlets wired to a single 20-ampere circuit box breaker. This means that when a 20-ampere demanding device (1-½ horsepower motor) is connected to one of the outlets no other device should be connected to the other shared outlets, in other words all of the available current must be reserved for the 1-½ horsepower motor.
- **220-volt, single-phase 1-½ horsepower configurations should be connected to 15-ampere service. Burr King machines are provided with appropriate power cables and connectors for this service arrangement. Similar concerns exist for 220-volt, single-phase systems; however, 120-volt systems are far and away of more concern and therefore require greater awareness and pro action.**
- For 1-½ horsepower, 120-volt, single phase motor applications the use of extension cords should be avoided. If it is necessary for an extension cord to be used assure that the cord does not exceed twenty feet in length and is constructed with 12-gauge or larger wire. **Failure to observe this will lead to reduced performance, premature failure, and a potential fire hazard.**

Remember that this is an important issue that effects product performance, reliability, and physical safety. If you have doubts or need assistance call the factory. The new configuration machines will safely deliver solid performance for many years provided they are supplied with and adequate AC power.

Finally, we think that you will agree the new configuration variable speed machines are a superior value because of their improved reliability, improved tolerance to overloads, and extended capability!



BURR KING MFG. CO., INC.

1220 TAMARA LANE

WARSAW MO 65355

WWW.BURRKING.COM

(660) 438-8998 • (800) 621-2748

FAX (660) 438-8991

June 1999

Operating instructions for the Model 600/800 buffer

The model 600/800 buffer is a single spindle buffer designed to use cotton, nylon, flap, wire, and other buffing and/or de-burring wheels. Stone or vitreous grinding wheels must not be used on the model 600/800. For maximum effectiveness, and operator safety use wheels manufactured by well respected manufacturers.

* Use wheels that are the proper size and type for your machine. The model 600 uses 6 inch diameter wheels up to 2 inches wide. Different wheels require properly configured adapters (i.e. WA-N, WA-1-1/2, WA-1, WA-2, WA 1-1/4).

* Do not use wheels that are old and/or excessively worn.

- Do not operate the buffing wheel in a reverse rotation. The spindle must rotate CCW when viewed from the right side (opposite of the motor).
- Do not exceed the maximum recommended buffing wheel speed (see the manufacture's instructions), or 4200 RPM model 600/800 spindle speed, which ever is less.

Prior to operating the model 600/800 please take time to do the following:

1. Insure that you have received all of the items that you ordered. Compare the packing slip with your purchase order, and of course with the physical items received.
2. Verify that there is no obvious shipping damage. If shipping damage is discovered notify the freight carrier of your intention to file a freight damage claim. They will assist you.
3. Verify that the AC power that is identified on the machine as received matches the AC power that you intend to operate the machine with. Do not modify the machines wiring without first contacting your distributor or Burr King manufacturing.
4. Do not modify or defeat any AC wiring safety feature. In example, do not remove the grounding pin on the AC plug.
5. Verify that you have received a warranty card, parts lists, catalog, and Operator, and Operating Area Safety Instructions.
6. Complete the warranty card and return it to Burr King Manufacturing.
7. Verify that the buffing wheel guard (P/N 703) is in place and functional.
8. Prior to operating the model 600 read the Operator, and Operating Area Safety Instructions carefully. Insure that all persons who will operate the model 600/800, or who will work in the vicinity of the model 600/800 read, understand, and comply with these instructions.
9. Insure that the model 600/800 is located in an area that provides clear access to the machine such that operators have clear and unobstructed access to the machine. The work place should be free from floor obstructions, trip points, and other faults that may reduce operator safety.
10. Burr King recommends that all three phase installations include a magnetic starter. Magnetic starters protect motors from "single phasing", overheating, etc. thereby reducing the risk of damage to the equipment and/or fire hazard to your facility.
11. Insure that the model 600/800 AC power source is properly sized, and properly fused. You should consult a competent electrician, or you may call Burr King Manufacturing for guidance.

Functional operating instructions for the model 600/800 buffer

The model 600/800 was fully tested and verified to comply with requirements prior to shipping from the factory. No adjustments should be necessary. You should perform the following steps:

1. With the machine securely bolted to its table, pedestal, and/or floor point connect the AC power to its source.
2. Insure the buffing wheel is firmly tightened to the spindle. A WA-N, WA-1/2, WA-1, WA-2, WA-1-1/4, or other wheel adapter suitable to the 5/8-inch arbor and the wheel desired for use is used to secure and tighten the wheel to the

model 600/800 spindle. A buffing wheel running in reverse rotation can unscrew from the spindle, creating a serious personnel safety hazard.

3. Engage the motor by placing the ON/OFF switch to ON. The wheel should rotate smoothly in a CCW direction with the front face of the buffing wheel moving toward the floor. If either of these conditions are not met turn the machine OFF immediately.

b. If the model 600/800 runs in reverse (up from the floor) you must correct this by changing the main drive motor rotation direction. **FIRST DISCONNECT THE MACHINE FROM ITS AC POWER SOURCE. A COMPETENT ELECTRICIAN SHOULD PERFORM ALL ELECTRICAL WORK ON THE MODEL 600/800.**

1) Reverse the motor direction of a three phase motor by reversing any two legs of the input power lines.

2) Reverse the motor direction of a single phase motor by reversing leads 5 and 8 found within the metal wiring box located on the motor, or as otherwise instructed on the actual motor label.

c. If the model 600/800 has excessive vibration turn the machine OFF and call the Burr King factory for assistance.

Maintenance for the model 600/800

FIRST DISCONNECT THE MACHINE FROM ITS AC POWER SOURCE.

* Every thirty days check the v-belt (P/N 429) tension. If you can hear the belt “slap” the v-belt guard (P/N 428) when the drive motor starts, the v-belt requires re-tensioning. Do this by loosening the four bolts (P/N 2) that secure the motor to the machine base (P/N 731) and slide the motor toward the rear of the machine. Tighten the four bolts.

* Daily vacuum or otherwise remove dust and debris build-up from the machine and the machine belt track.

There are no other maintenance actions required. All bearings are sealed for life and require no additional lubrication.

Remember for operator safety and the continued effectiveness of your model 600/800:

Do not defeat the safety guards and other safety provisions of the model 600/800.

Do not reach inside the safety guards while the machine is running. To do so is hazardous.

Do not use fluids in your buffing process unless your model 600/800 is designed for liquid operation (NEMA 4, 4X). To do so may create an electrical safety hazard.

Do not use your model 600/800 to grind/polish explosive materials such unless it is equipped with explosion proof electrical devices and motor.

Do not mix alloys in your buffing. To do so may create an explosion hazard.

Do not use stone or vitreous wheels on the model 600/800. To do so will create an operator safety hazard.

Do use eye, hand, face, arm, leg, feet and body protection that is adequate to protect against flying debris, forcibly ejected work pieces, broken abrasive belts, etc.

Do train operators and others in safe operating practices.

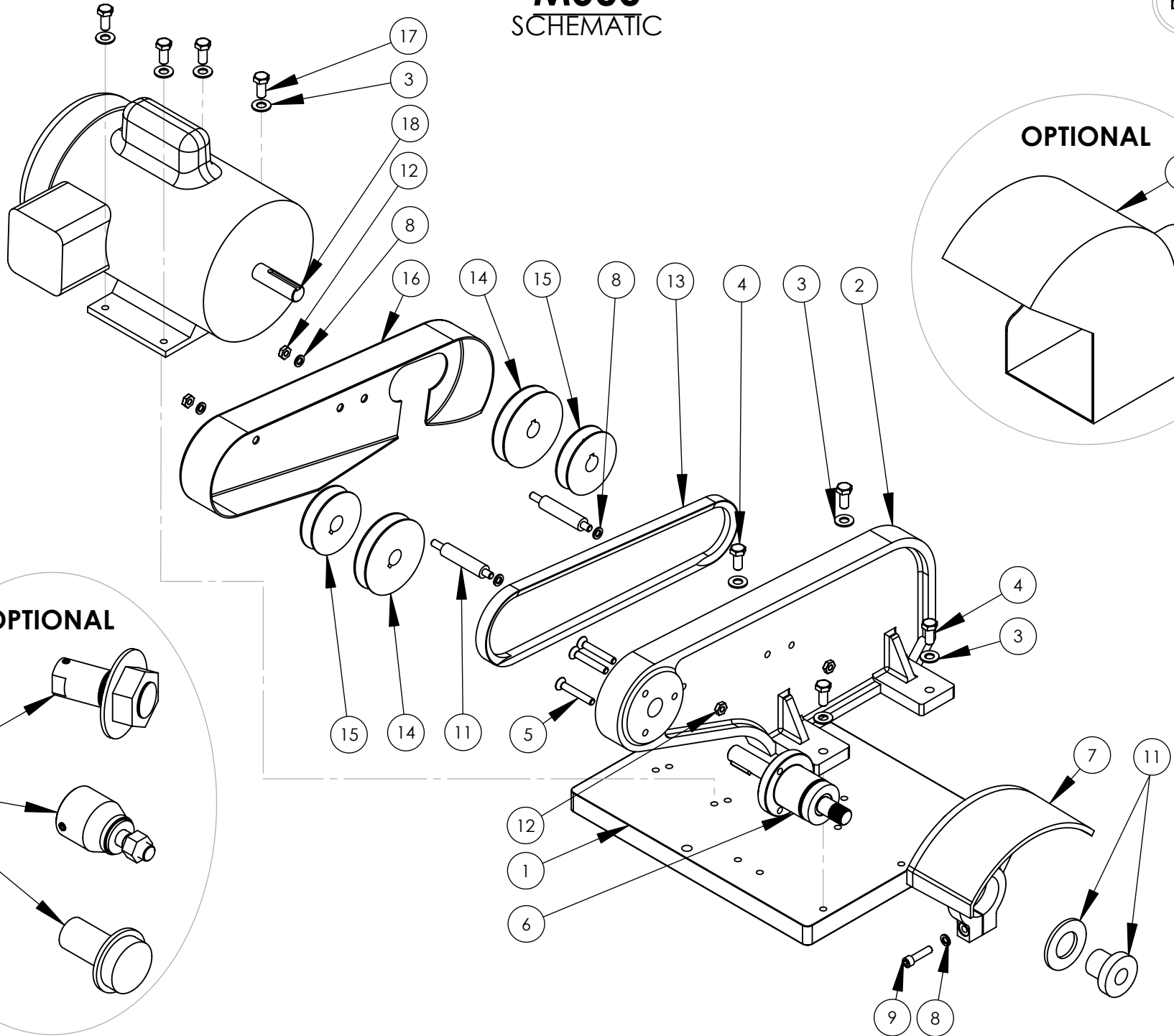
Post these or equivalent instructions such they are available for ready operator reference.

Burr King Manufacturing can help you with problem solutions, and/or answers to your questions. Please call your Burr King distributor first. If you can not reach satisfactory conclusion please call the Burr King factory, telephone 1-660-438-8998 or 800-621-2748.

M600 SCHEMATIC

BURR KING

1220 TAMARA LANE
WARSAW, MO. 65355



M600			
ITEM NO.	PART NUMBER	DESCRIPTION	QTY.
1	731	BASE, MACHINE	1
2	600	FRAME, MAIN	1
3	4	WASHER, 5/16 SAE ZINC PLTD	8
4	1	BOLT, 5/16-18x1 HEX HEAD	4
5	6	1/4-20 x 1 1/2 FH SOC	3
6	701	BEARING, CONTACT WHEEL ASSY	1
7	903	GUARD, CONTACT WHEEL	1
8	5	WASHER, 1/4 AN	5
9	31	SCREW 1/4-20x1 1/4 SHCS	1
10	WA1	ADAPTER 1"	1
11	728A	STUD, GUARD, V, BELT	2
12	3	NUT, 1/4-20 JAM, PLTD	4
13	729	BELT, V DRIVE	1
14	730	PULLEY, 3.0	2
15	725	PULLEY, 2.5	2
16	728	GUARD, V-BELT	1
17	2	BOLT, 5/16-18x1 1/2 HEX HEAD	4
18	MOTOR*	CALL FACTORY FOR MOTOR	1

OPTIONAL ATTACHMENT			
ITEM NO.	PART NUMBER	DESCRIPTION	QTY.
19	DS6	SCOOP, DUST	1

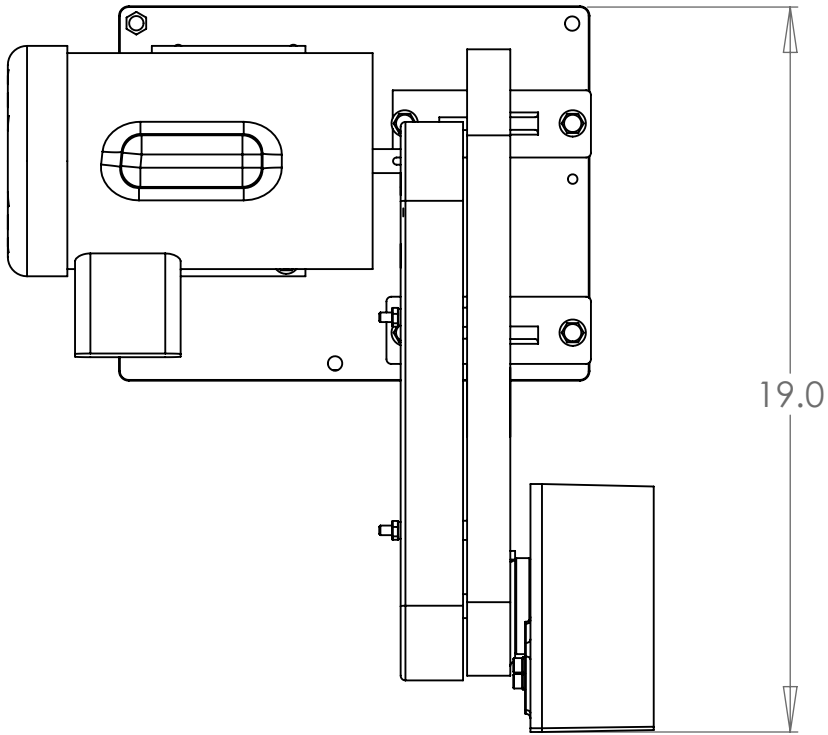
ACCESSORY WHEEL ADAPTERS			
ITEM NO.	PART NUMBER	DESCRIPTION	QTY.
20	WA14	ADAPTER 1- 1/4"	1
21	WA12	ADAPTER 1/2"	1
22	WA2	ADAPTER 2"	1

*** 011C ROCKER SWITCH FOR 1PH**

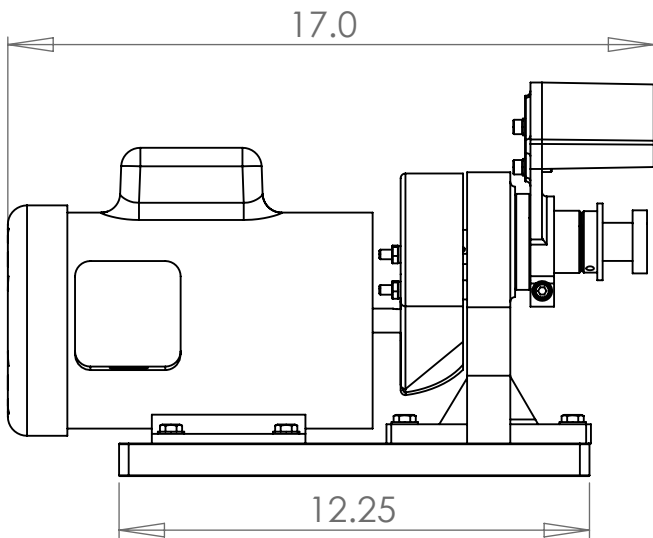
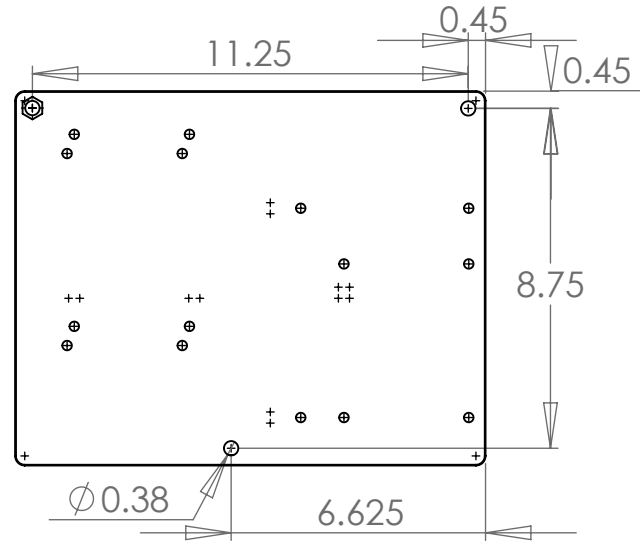
M600 FOOT PRINT

BURR KING

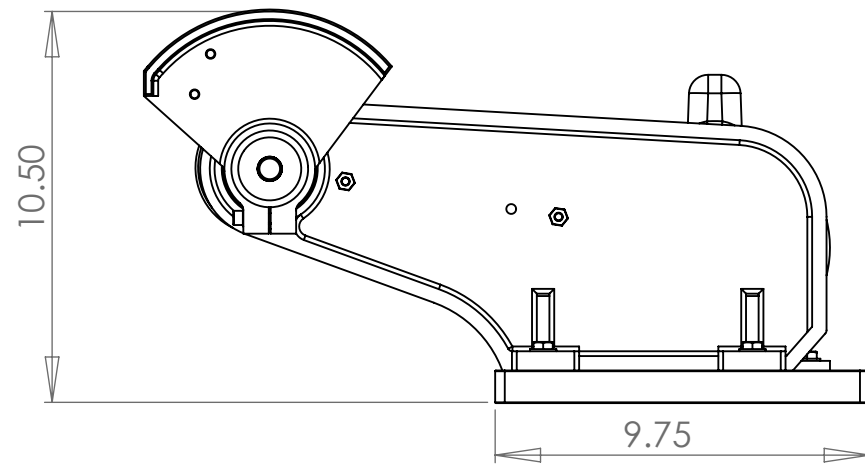
1220 TAMARA LANE
WARSAW, MO. 65355



TOP VIEW



FRONT VIEW

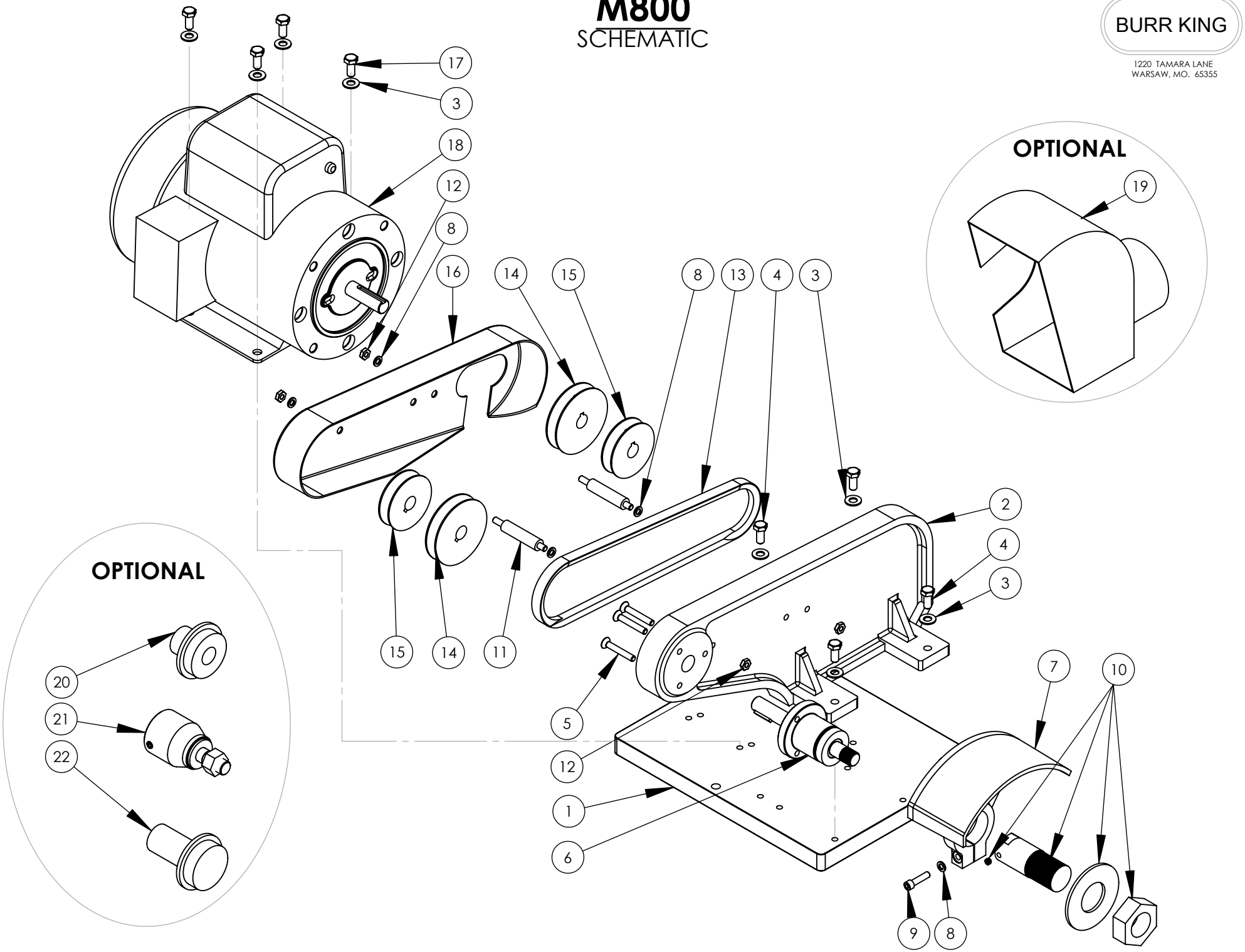


RIGHT SIDE VIEW

M800 SCHEMATIC

BURR KING

1220 TAMARA LANE
WARSAW, MO. 65355



M800			
ITEM NO.	PART NUMBER	DESCRIPTION	QTY.
1	731	BASE, MACHINE	1
2	600	FRAME, MAIN	1
3	4	WASHER, 5/16 SAE ZINC PLTD	8
4	37	BOLT, 5/16-18x3/4 HEX HEAD	4
5	6	1/4-20 x 1 1/2 FH SOC	3
6	701	BEARING, CONTACT WHEEL ASSY	1
7	903K	GUARD, CONTACT WHEEL	1
8	5	WASHER, 1/4 AN	5
9	31	SCREW 1/4-20x1 1/4 SHCS	1
10	WA14	ADAPTER 1- 1/4"	1
11	728A	STUD, GUARD, V, BELT	2
12	3	NUT, 1/4-20 JAM, PLTD	4
13	729	BELT, V DRIVE	1
14	730	PULLEY, 3.0	2
15	725	PULLEY, 2.5	2
16	728	GUARD, V-BELT	1
17	2	BOLT, 5/16-18x1 1/2 HEX HEAD	4
18	MOTOR	CALL FACTORY*	1

OPTIONAL ATTACHMENT			
ITEM NO.	PART NUMBER	DESCRIPTION	QTY.
19	DS8	SCOOP, DUST	1

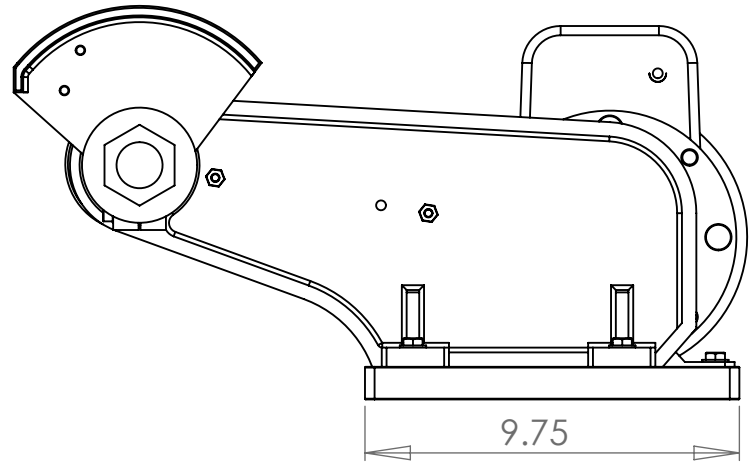
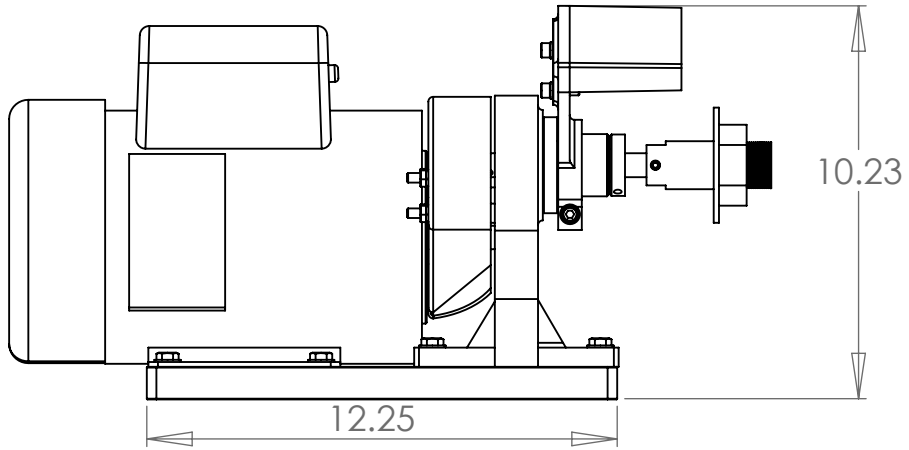
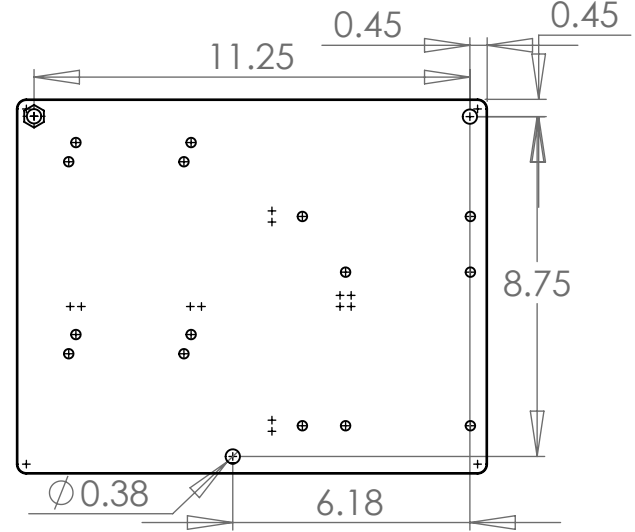
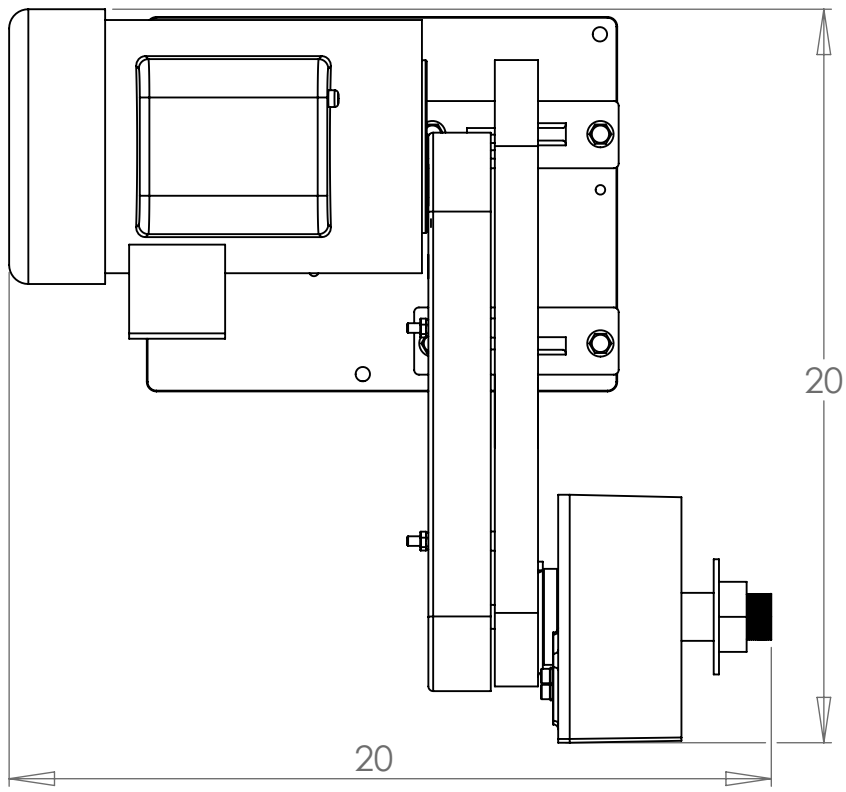
ACCESSORY WHEEL ADAPTERS			
ITEM NO.	PART NUMBER	DESCRIPTION	QTY.
20	WA1	ADAPTER 1"	1
21	WA12	ADAPTER 1/2"	1
22	WA2	ADAPTER 2"	1

*** 011C ROCKER SWITCH FOR 1PH**

M800 FOOT PRINT

BURR KING

1220 TAMARA LANE
WARSAW, MO. 65355

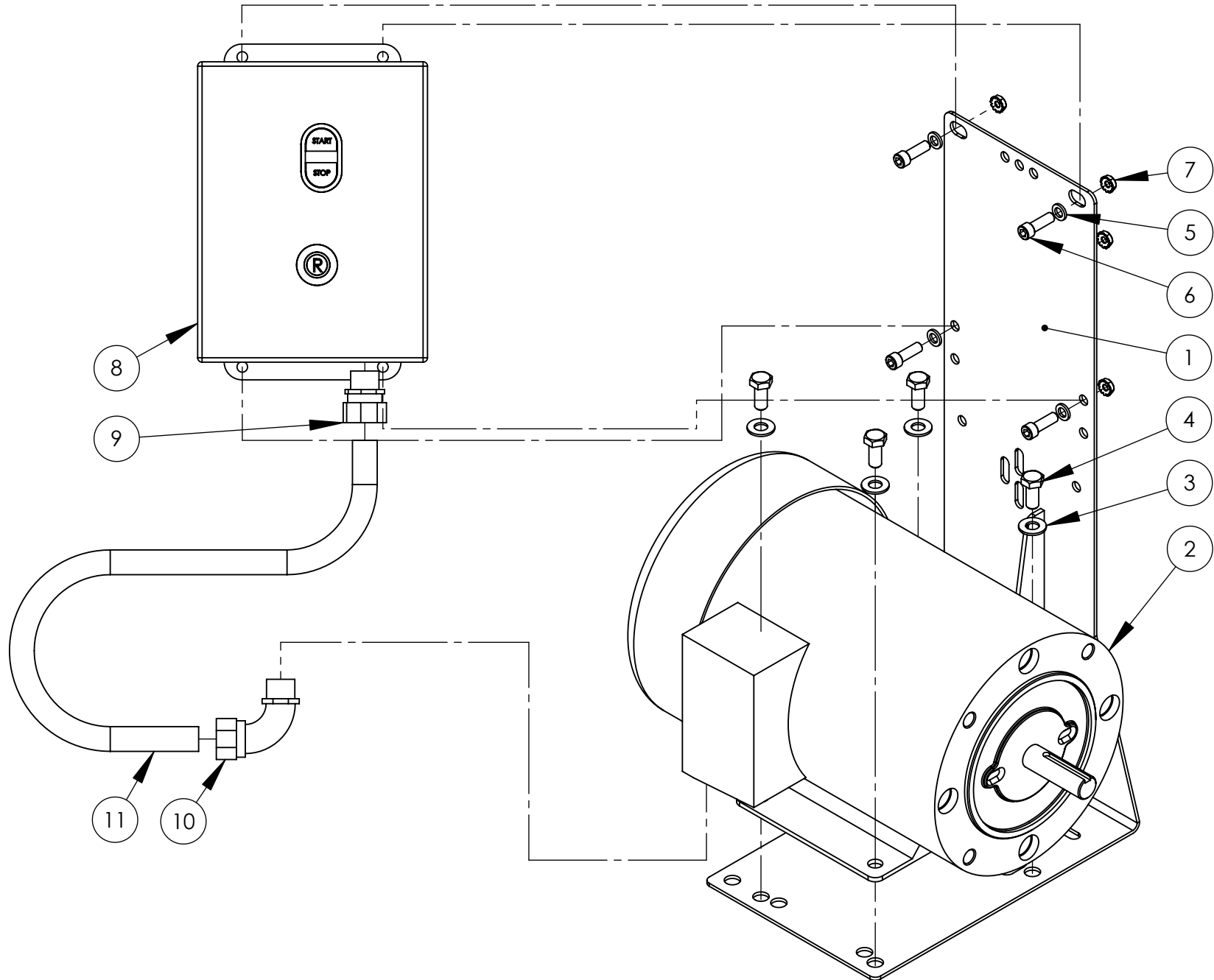


MAG STARTER

PARTS LIST

BURR KING

1220 TAMARA LANE
WARSAW, MO. 65355



MAG STARTER			
ITEM NO.	PART NUMBER	DESCRIPTION	QTY.
1	MB-4C	BRACKET, MOUNTING, STARTER	1
2	MOTOR	CALL FACTORY FOR PART NUMBER	1
3	4	WASHER, 5/16 SAE ZINC PLTD	4
4	37	BOLT, 5/16-18x3/4 HEX HEAD	4
5	5	WASHER, 1/4 AN	4
6	209	SCREW, 1/4-20 X 3/4 ALLEN HEAD	4
7	4-0013	NUT, KEP, 1/4-20	4
8	MS2A3 MS4A3 MS2B3 MS4B3	3/4HP-1HP, 220V 3/4HP-1HP, 440V 1.5HP-3HP, 220V 1.5HP-3HP, 440V	1
9	775	CONNECTOR, 3/8", STR, LIQ. TIGHT	1
10	776	CONNECTOR, 3/8", 90 DEG, LIQ. TIGHT	1
11	020	CONDUIT 3/8" LIQUID TIGHT	1

VARI SPEED

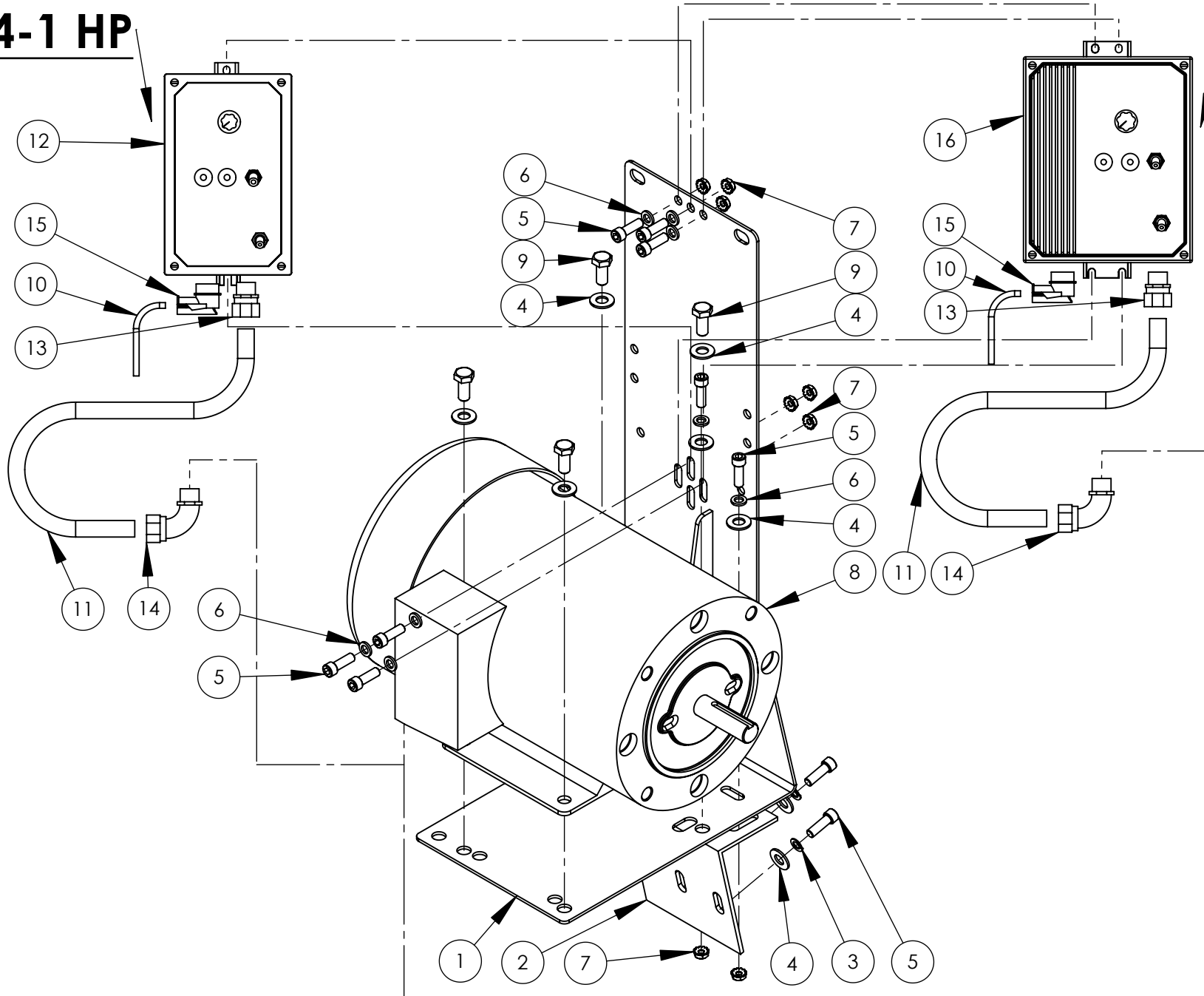
SINGLE PHASE

BURR KING

1220 TAMARA LANE
WARSAW, MO. 65355

3/4-1 HP

1.5-3 HP



VARI SPEED			
ITEM NO.	PART NUMBER	DESCRIPTION	QTY.
1	MB-4C	BRACKET, MOUNTING, STARTER	1
2	941-3	BRACE, MB4 SUPPORT	1
3	5-0032	WASHER, 1/4, LOCK, SPLIT, PLTD	2
4	4	WASHER, 5/16 SAE ZINC PLTD	8
5	209	SCREW, 1/4-20 X 3/4 ALLEN HEAD	10
6	5	WASHER, 1/4 AN	8
7	4-0013	NUT, KEP, 1/4-20	8
8	100B-1725C 150B-1725C	1 HP MOTOR 1.5 HP MOTOR	1
9	37	BOLT, 5/16-18x3/4 HEX HEAD	4
10	015-1 017	120V CORD 220V CORD	1
11	020	CONDUIT 3/8" LIQUIDTIGHT	1
12	864-1	CONT. 115/220V 0.75-1HP	1
13	775	CONNECTOR, 3/8" STR, LIQ. TIGHT	1
14	776	CONNECTOR, 3/8", 90 DEG, LIQ. TIGHT	1
15	643	RELIEF, STRAIN 3/8" 90 DEG	1
16	862-3	CONT. 115/220V 1.5-3HP	1

NOTE

FOR 3 PHASE CONTROLLER CALL FACTORY.

CE CERTIFICATION PART NUMBERS

ADD TO CONTROLLER

ITEM NO.	PART NUMBER	DESCRIPTION	QTY.
12	9974-6	LINE FILTER	1
16	9974-5	LINE FILTER	1
CHANGE PART			
15	3356	RELIEF, STRAIN	1
10	CE CORD	NO PLUG- CUSTOMER INSTALLED PLUG	1