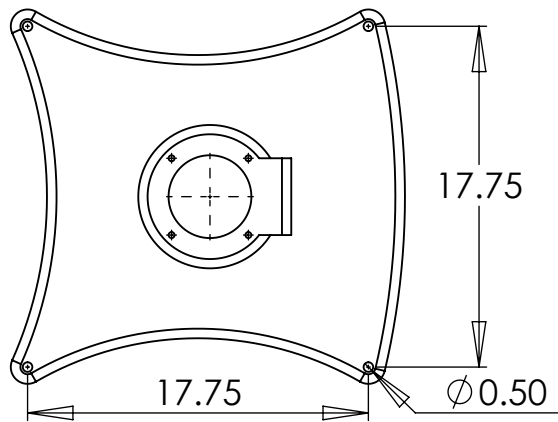


# 20in DISC GRINDER

## BASIC FOOT PRINT

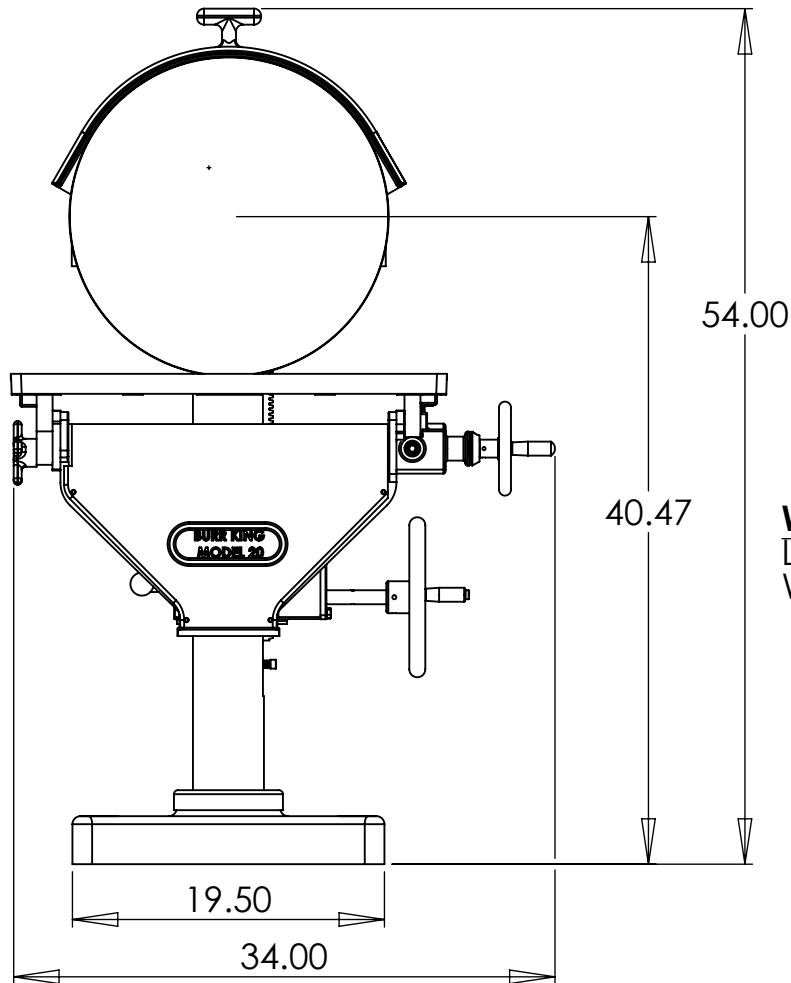
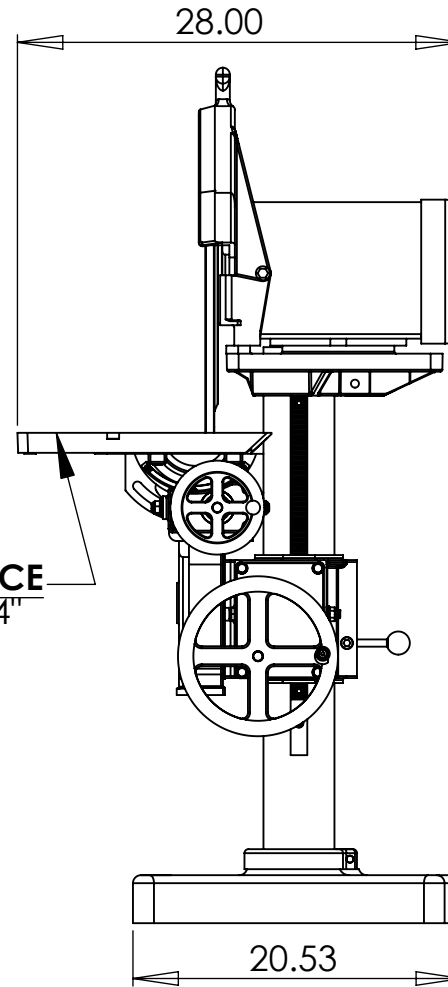


1220 TAMARA LANE  
WARSAW, MO. 65355



**MOUNTING PATTERN**

**RIGHT SIDE VIEW**



**FRONT VIEW**

**WORKING SPACE**  
LENGTH: 27-1/4"  
WIDTH: 11"

DATE DRAWN	REV DATE	DRAWN BY	SHEET
8/4/2009		CMW	1 OF 1